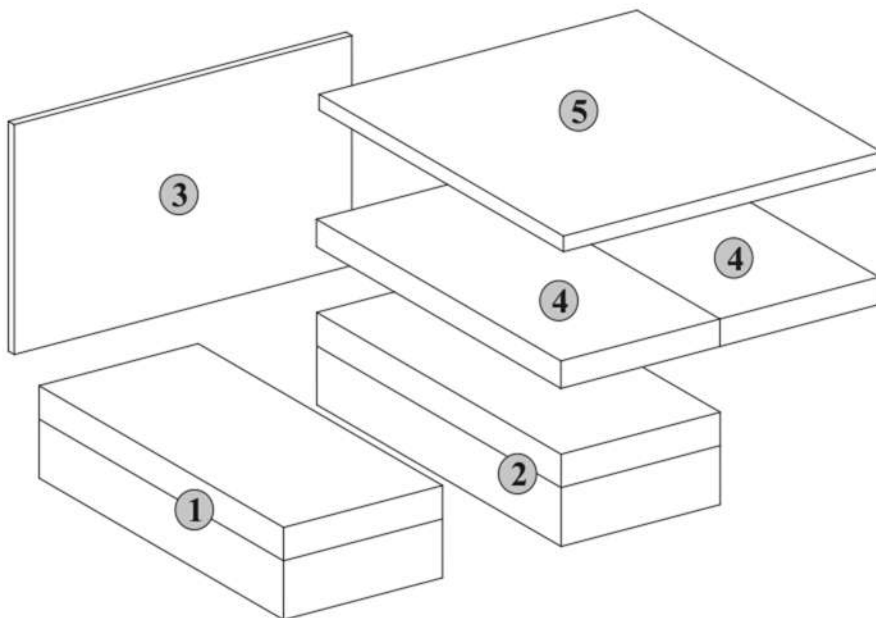
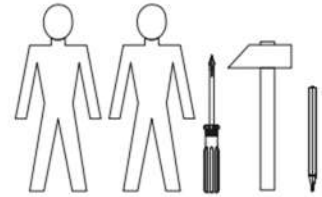
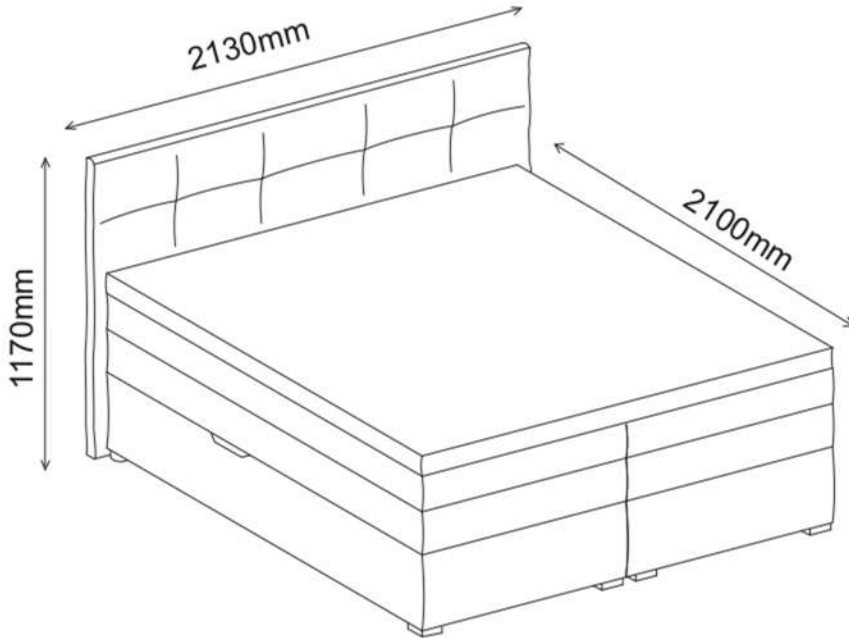
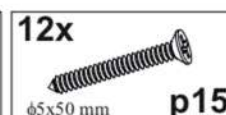
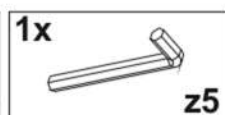
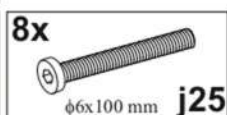
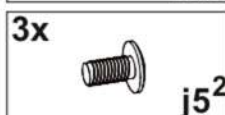
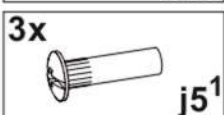
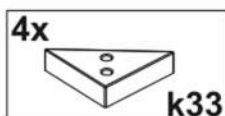
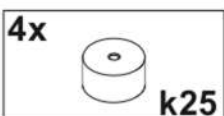


# APRIL 200



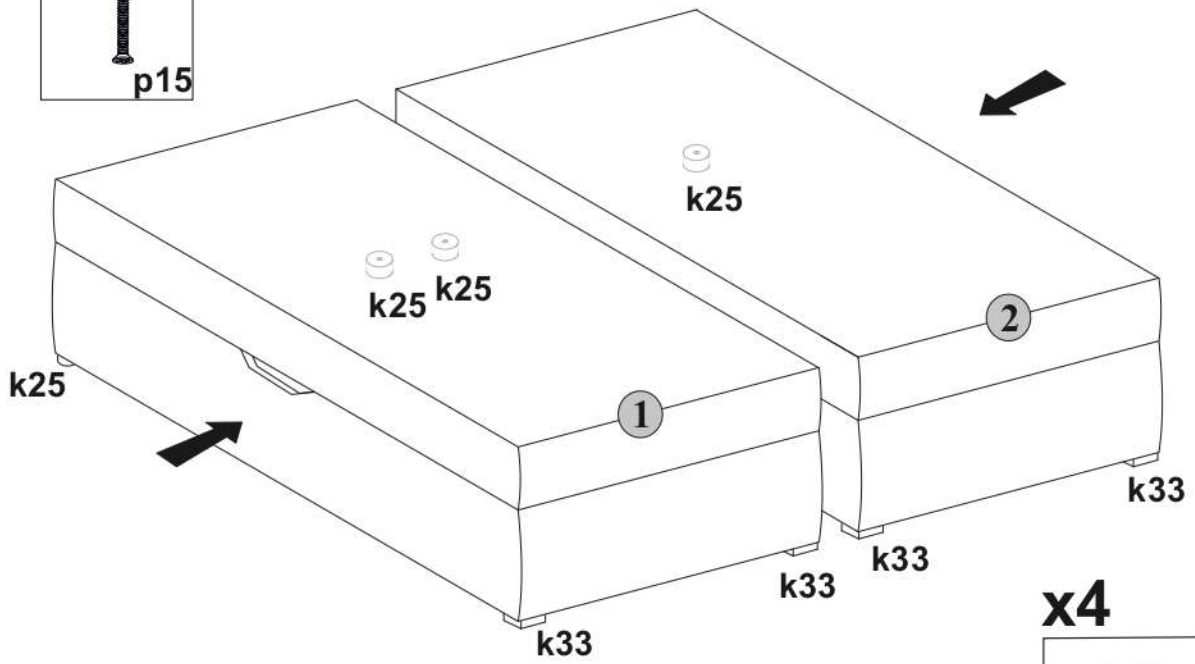
<b>1</b>	2000	1000	420	x1	1/5
<b>2</b>	2000	1000	420	x1	2/5
<b>3</b>	2000	1000	170	x2	3/5
<b>4</b>	2130	1170	100	x1	4/5
<b>5</b>	2000	1800	80	x1	5/5



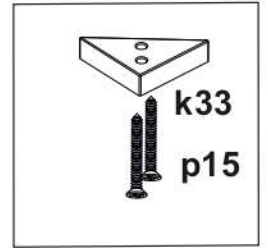
**1**



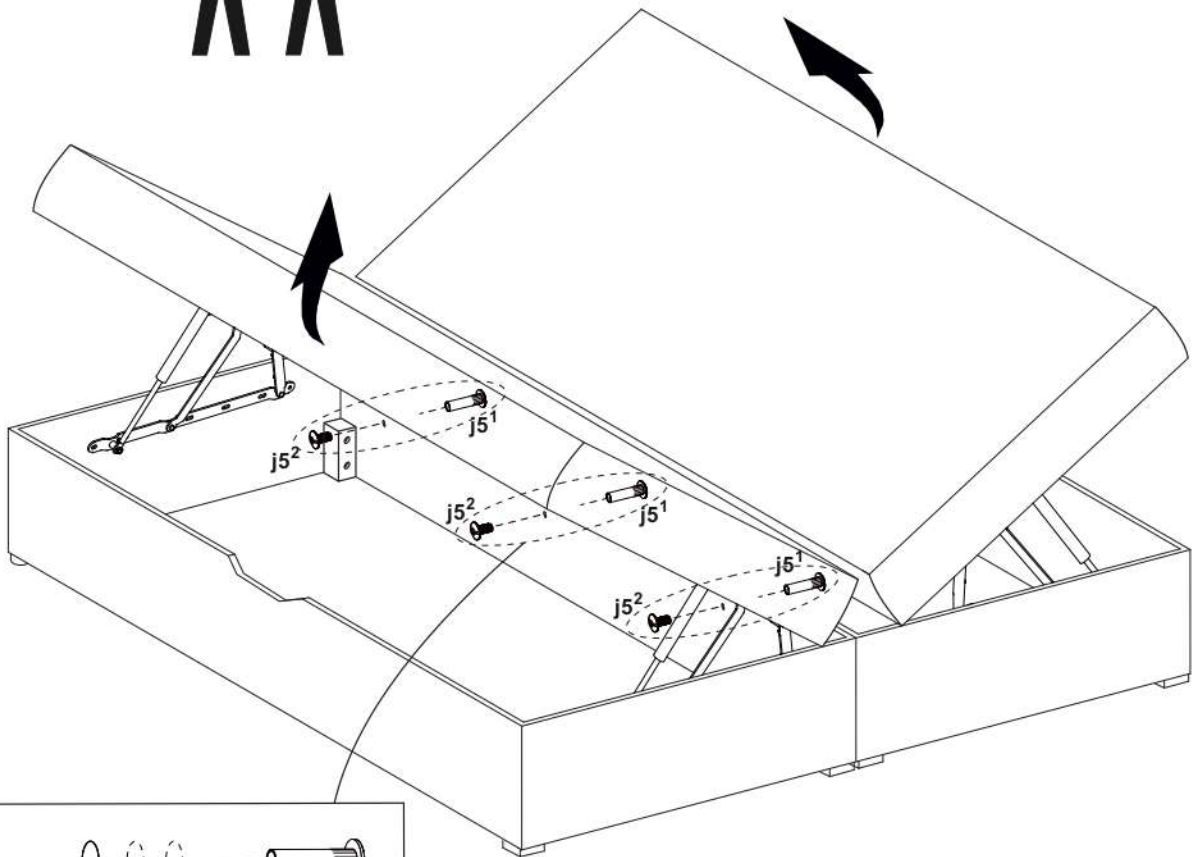
**x4**



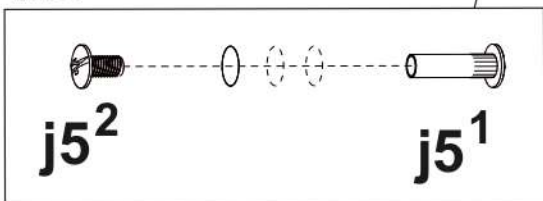
**x4**



**2**

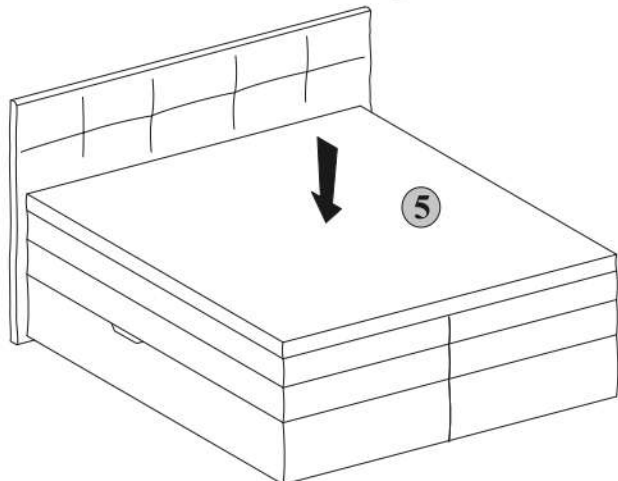
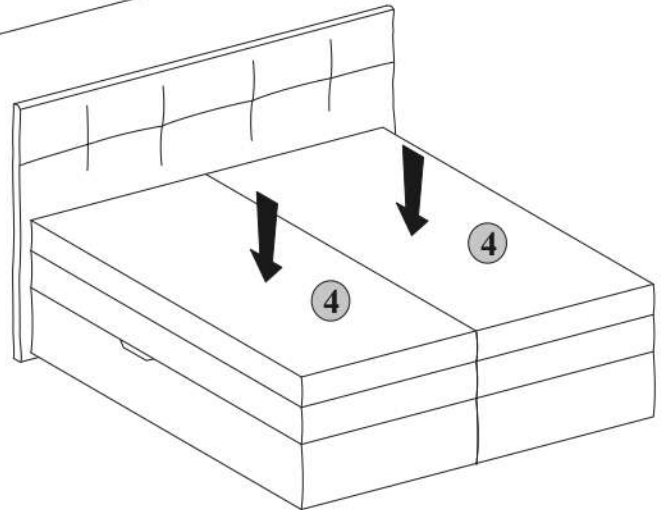
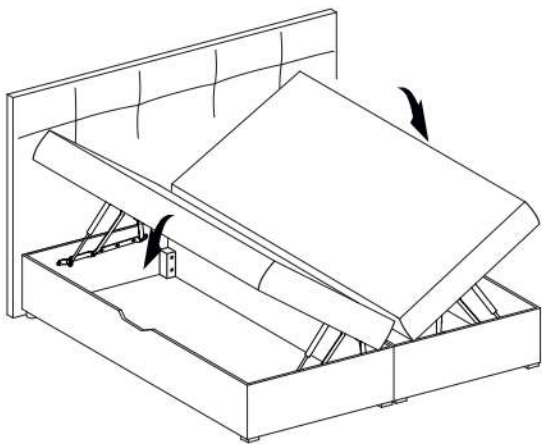
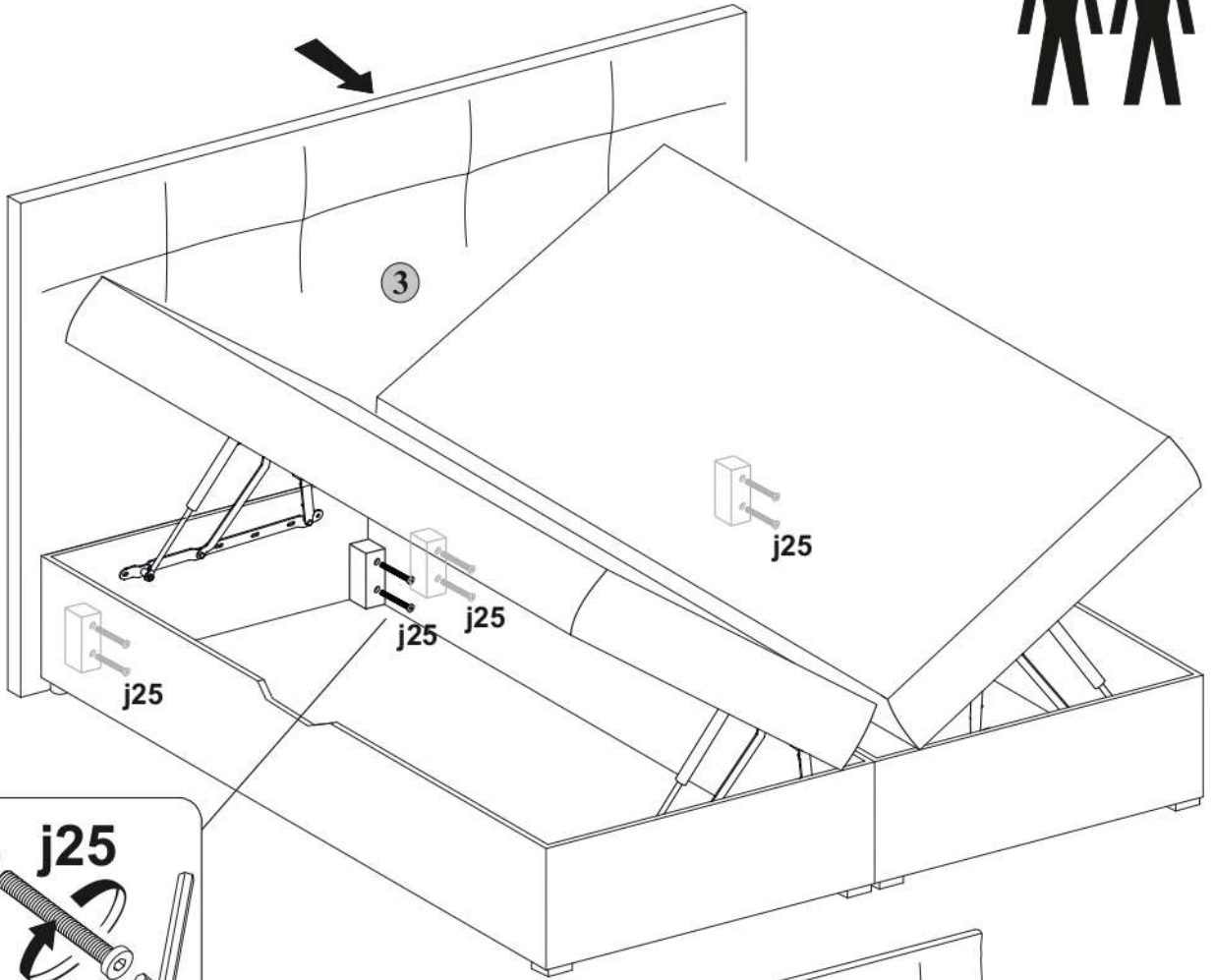


**x3**



**2**

**3**



**3**